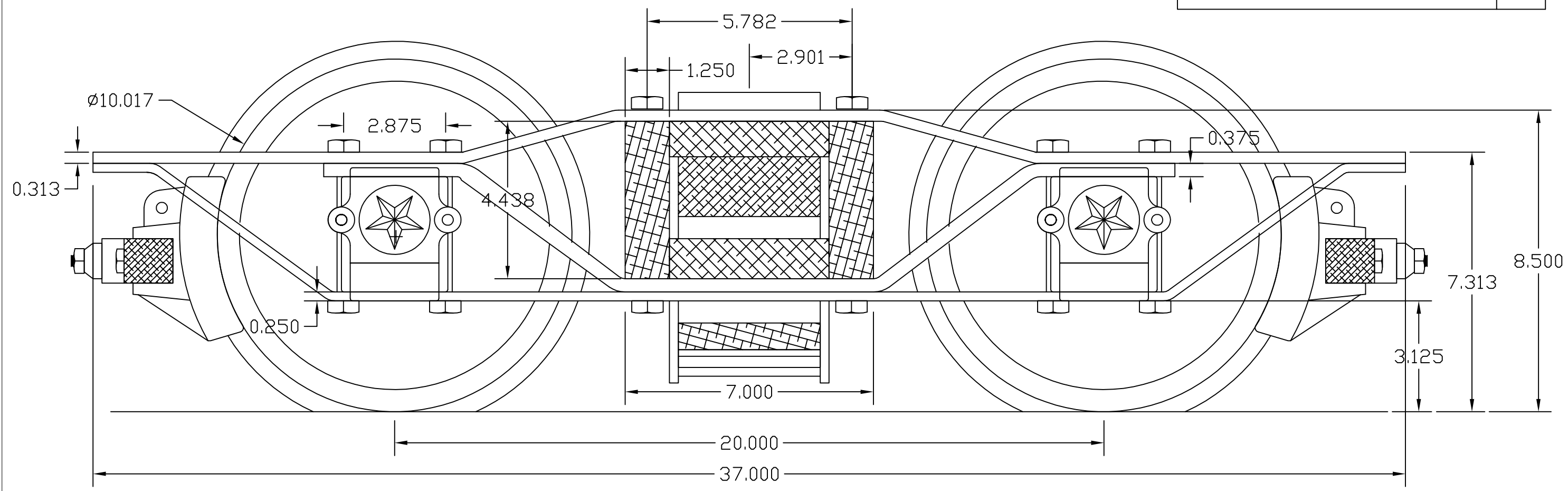


11 10 9 8 7 5 4 3 2 1

G
F
E
C
B
A

Bill of Materials	
Description	Num.
GP001 Wheel, car, 10 in	4
GP002 Brake shoe	4
GP006 Set, journal box, archbar, and lid	4
GP004 Set, Carter swing motion truck	1
GP103 Axle, 10 in wheel	2



11 10 9 8 7 5 4 3 2 1

DRAWING TITLE			
GA006 Carter Bros Truck, elevation			
DRAWN BY	DRAWING NUMBER	REVISION	SHEET
Craig Williams	12345	1	1 OF 1
FILE NAME			SAVE DATE
GA006 Carter Bros Truck, Elevation			1/2/2020
REV	DATE	REV BY	DESCRIPTION
1	01/01/12	CLW	Desc

G
F
E
C
B
A