

11 10 9 8 7 5 4 3 2 1

G

G

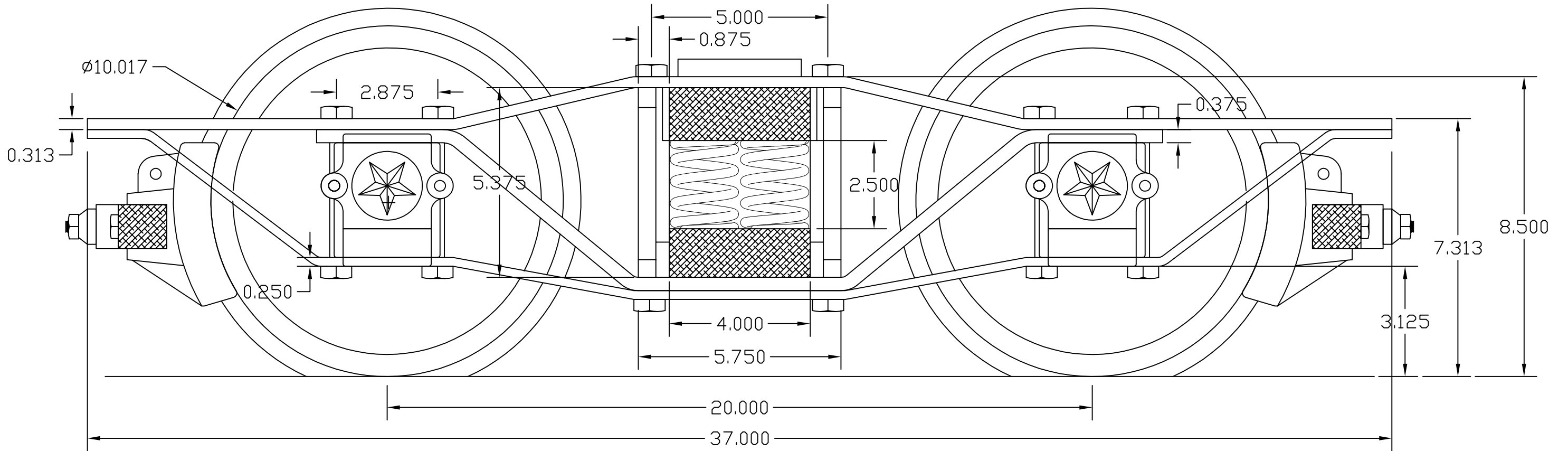
Bill of Materials	
Description	Num.
GP001 Wheel, car, 10 in	4
GP002 Brake shoe	4
GP006 Set, journal box, archbar, and lid	4
GP032 Bolster guide plate	4
GP035 Set, Car center plates and side bearings	1
GP103 Axle, 10 in wheel	2

F

F

E

E



C

C

B

B

A

A

11 10 9 8 7 5 4 3 2 1

DRAWING TITLE			
GA007 Arch Bar Truck, Elevation.dwg			
DRAWN BY	DRAWING NUMBER	REVISION	SHEET
Craig Williams	12345	1	1 OF 1
FILE NAME			SAVE DATE
GA007 Arch Bar Truck, Elevation			1/2/2020
REV	DATE	REV BY	DESCRIPTION
1	08/20/15	CLW	Desc