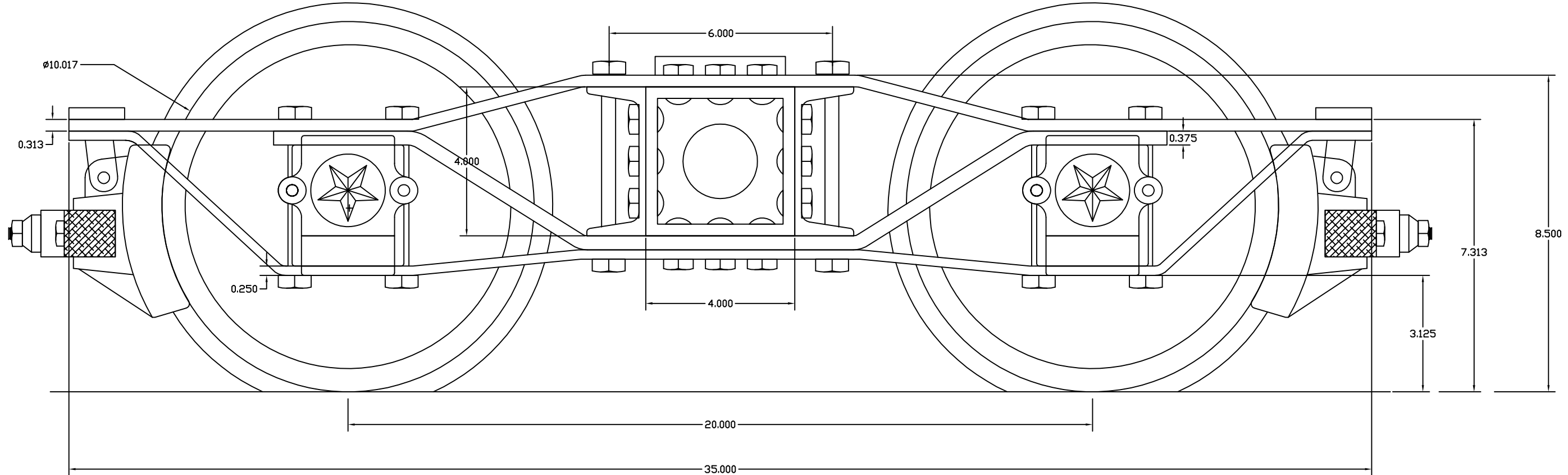


11 10 9 8 7 5 4 3 2 1

G
F
E
C
B
A

Bill of Materials	
Description	Num.
GP001 Wheel, car, 10 in	4
GP002 Brake shoe	4
GP006 Set, journal box, archbar, and lid	4
GP034 Thielsen truck center	2
GP035 Set, Car center plates and side bearings	1
GP103 Axle, 10 in wheel	2



11 10 9 8 7 5 4 3 2 1

DRAWING TITLE			
GA008a Thielsen truck, elevation			
DRAWN BY	DRAWING NUMBER	REVISION	SHEET OF
Craig Williams	12345	1	1 OF 1
FILE NAME			SAVE DATE
GA008a Thielsen Truck, Elevation			1/6/2020
REV	DATE	REV BY	DESCRIPTION
1	01/01/12	CLW	Desc

G
F
E
C
B
A