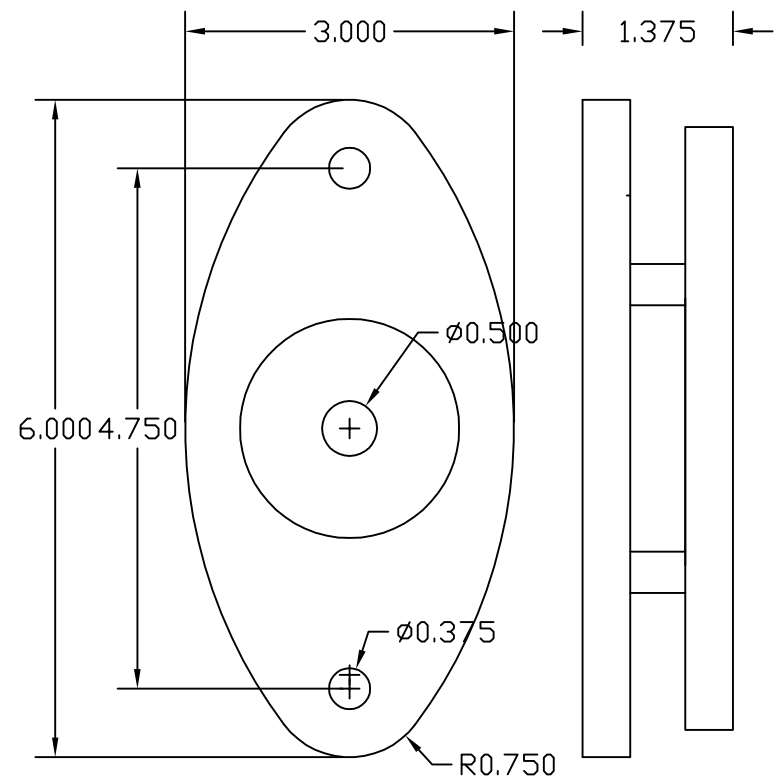
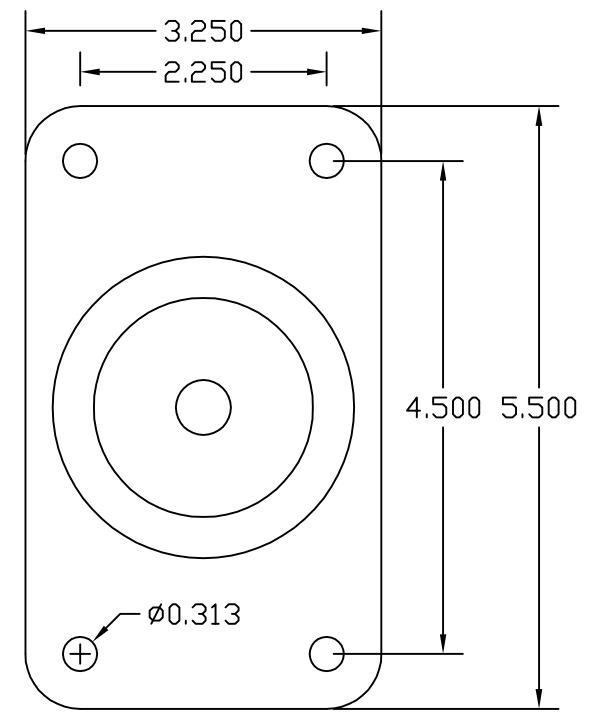


11 10 9 8 7 5 4 3 2 1

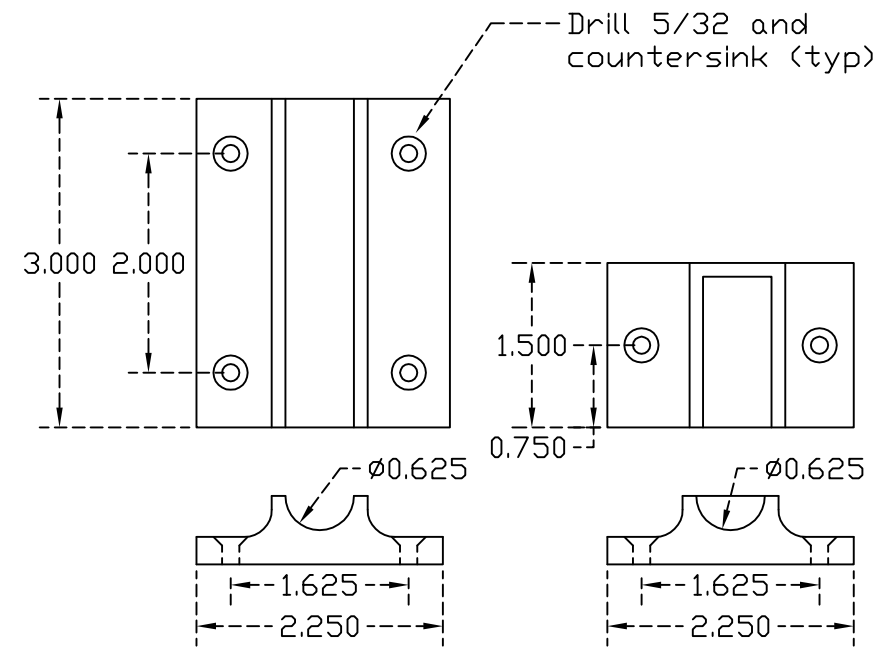
G
F
E
C
B
A



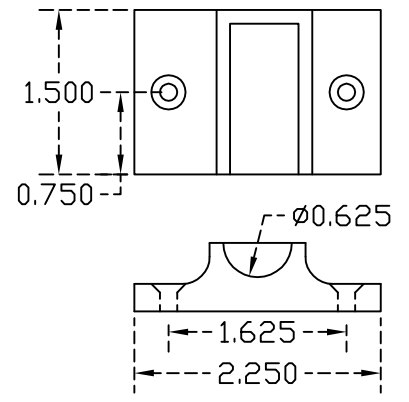
GP004a Carter center plates



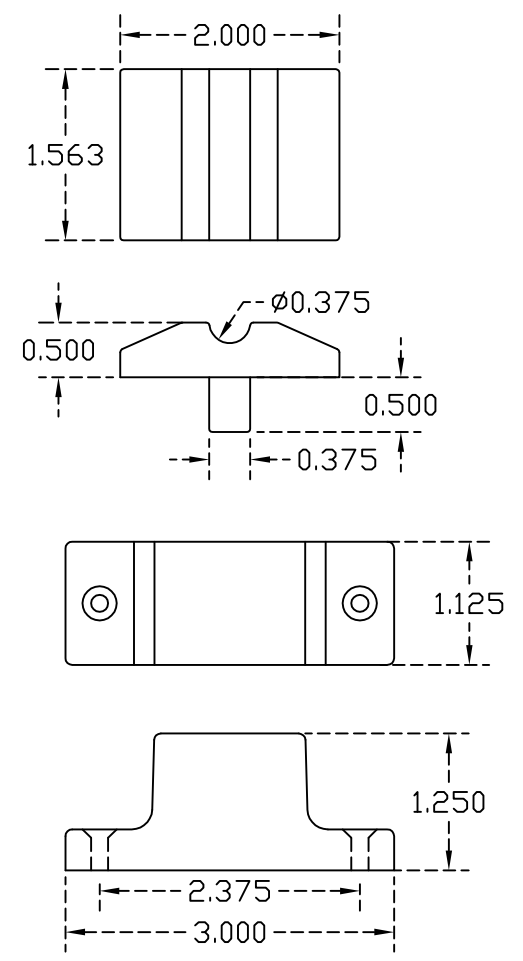
GP004d Truss rod bearing



GP004c Swing hanger, long



GP004b Swing hanger, short



GP004e Side bearing

DRAWING TITLE			
GP004 Carter swing motion parts			
DRAWN BY	DRAWING NUMBER	REVISION	SHEET
Craig Williams	12345	1	1 OF 1
FILE NAME			SAVE DATE
GP004 Carter Swing Motion Parts			1/14/2019
REV	DATE	REV BY	DESCRIPTION
1	01/01/12	CLW	Desc

11 10 9 8 7 5 4 3 2 1

G
F
E
C
B
A