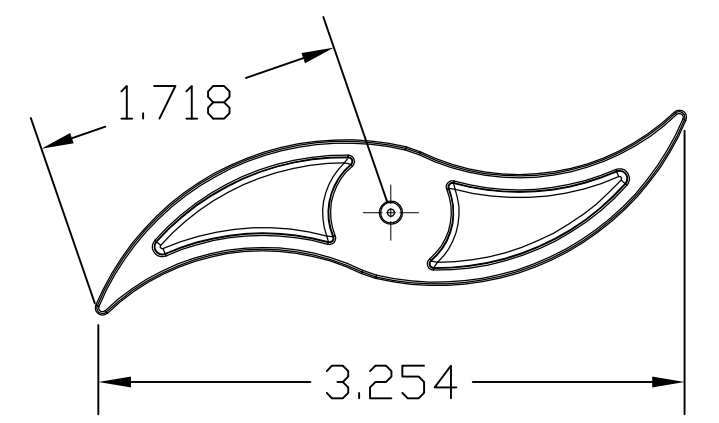
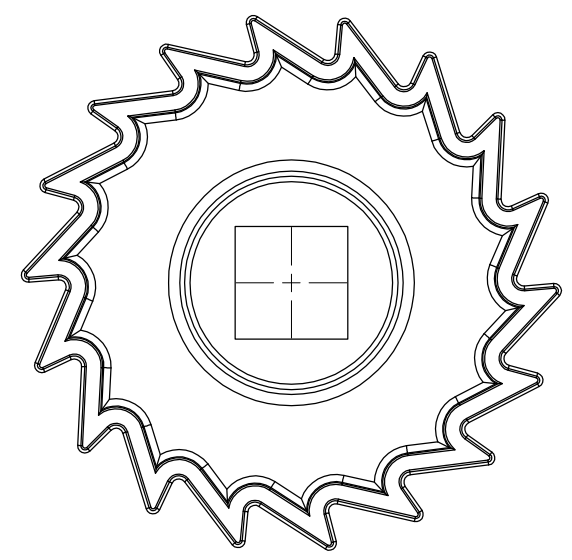
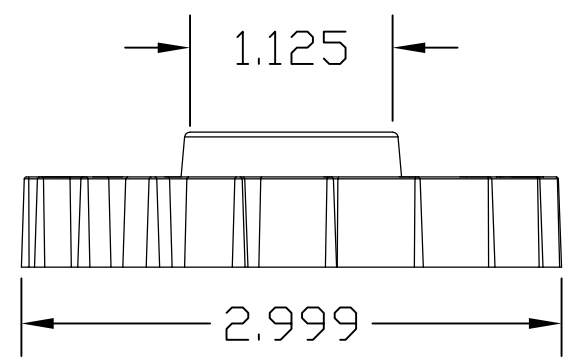
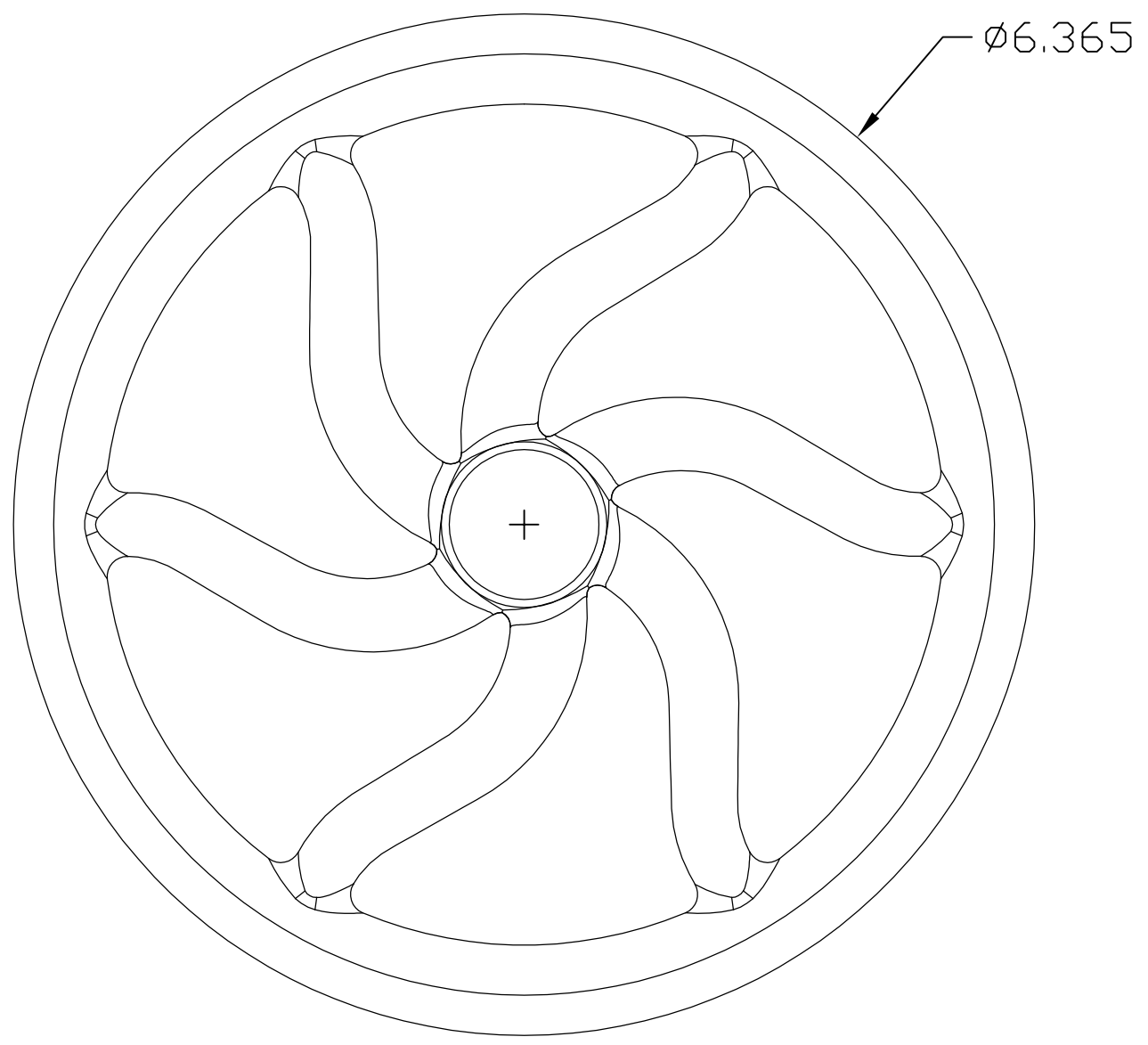
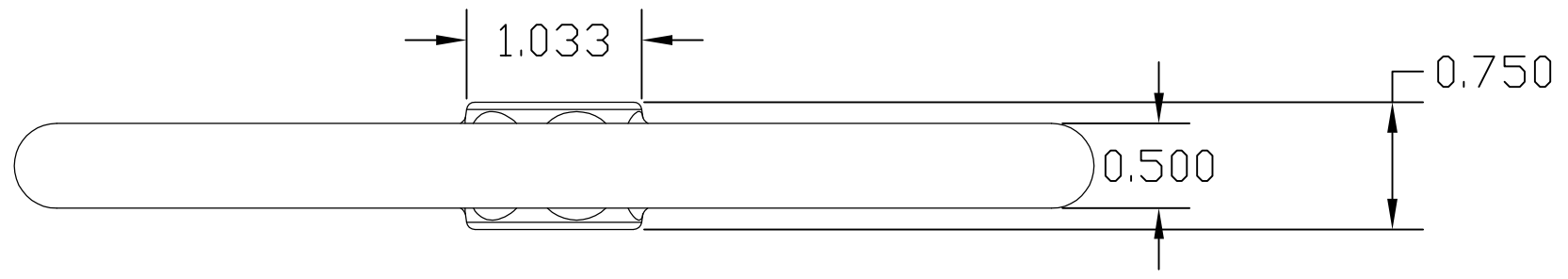


11 10 9 8 7 5 4 3 2 1

G
F
E
C
B
A



DRAWING TITLE			
GP005 Brakewheel, ratchet, pawl, Carter			
DRAWN BY	DRAWING NUMBER	REVISION	SHEET
Craig Williams	12345	1	1 OF 1
FILE NAME			SAVE DATE
GP005 Brakewheel, Ratchet, Pawl, Carter			11/2019
REV	DATE	REV BY	DESCRIPTION
1	01/01/12	CLW	Desc

11 10 9 8 7 5 4 3 2 1

G
F
E
C
B
A