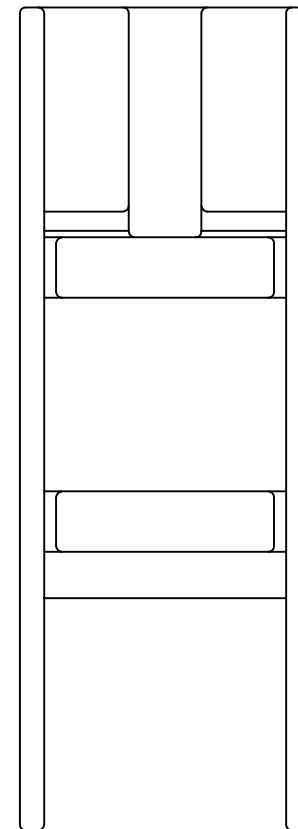
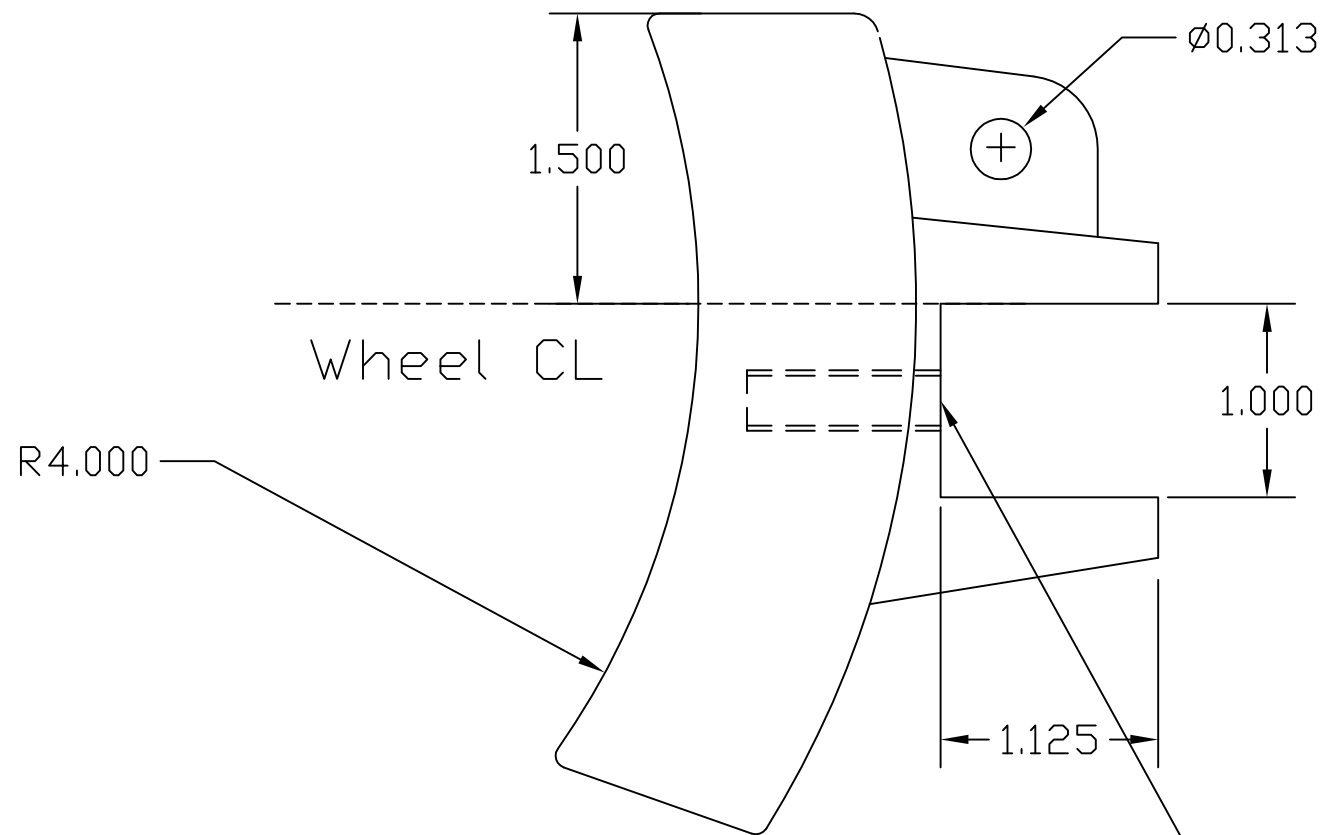
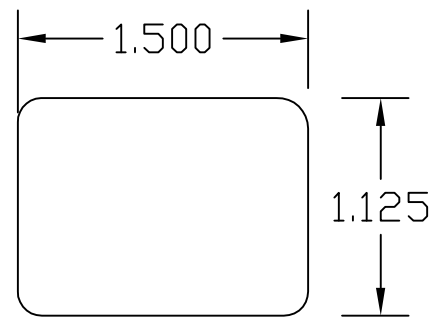


Cross section



Drill and tap 5/16-18, 3/4" deep.
 Use aluminum bolt to match brake beam.
 Example: 2" bolt - McMaster-Carr 93306A560

DRAWING TITLE			
GP017 Brake shoe, car, 8 inch			
DRAWN BY	DRAWING NUMBER	REVISION	SHEET
Craig Williams	12345	1	1 OF 1
FILE NAME			SAVE DATE
GP017 Brake Shoe, Car, 8 Inch			8/25/2019
REV	DATE	REV BY	DESCRIPTION
1	01/01/12	CLW	Desc