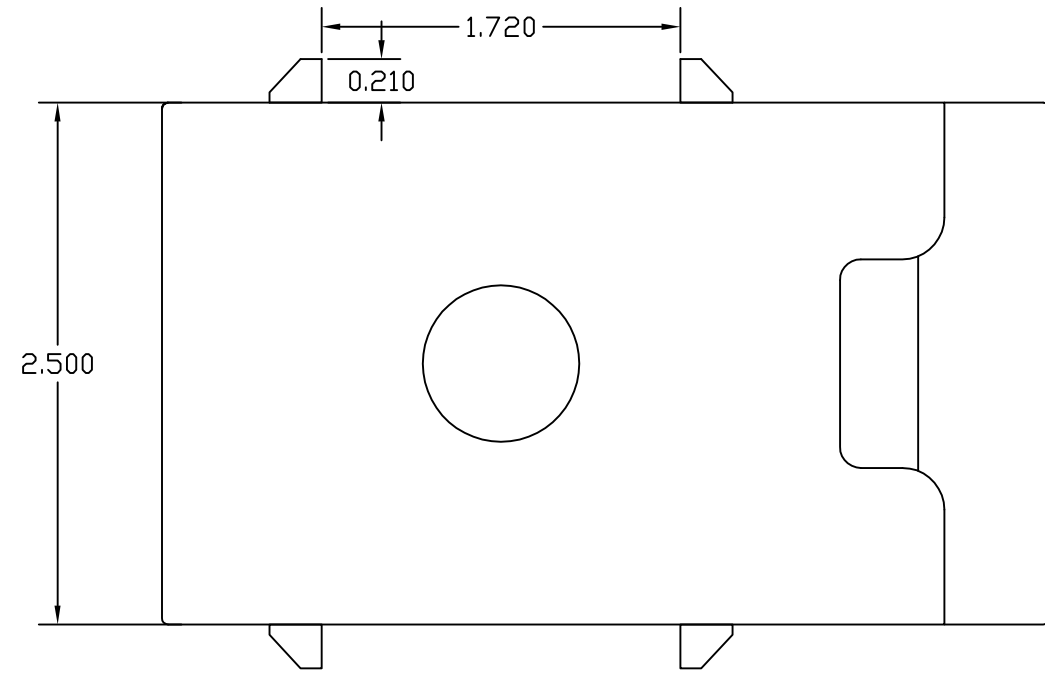
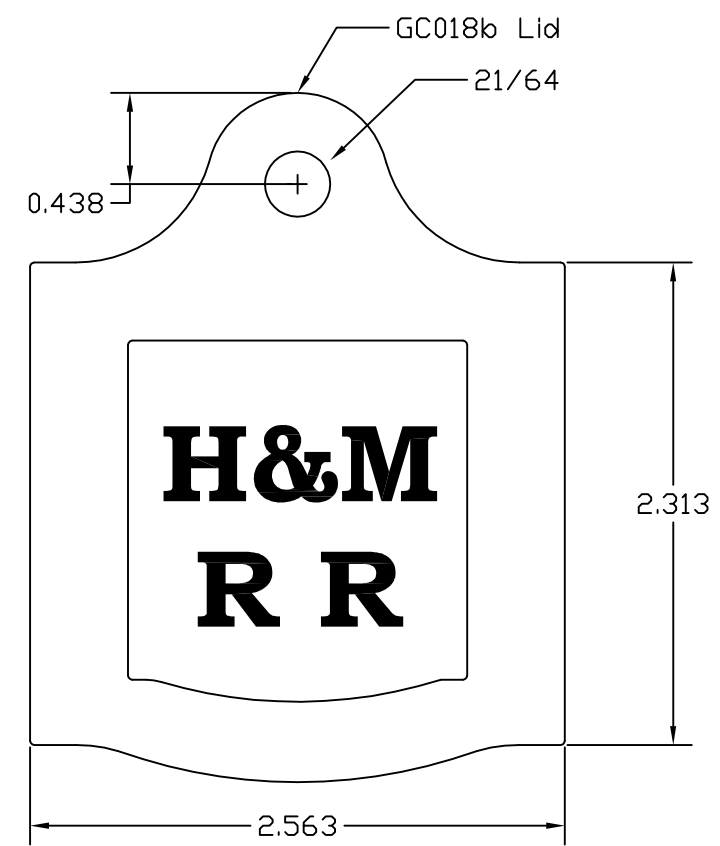
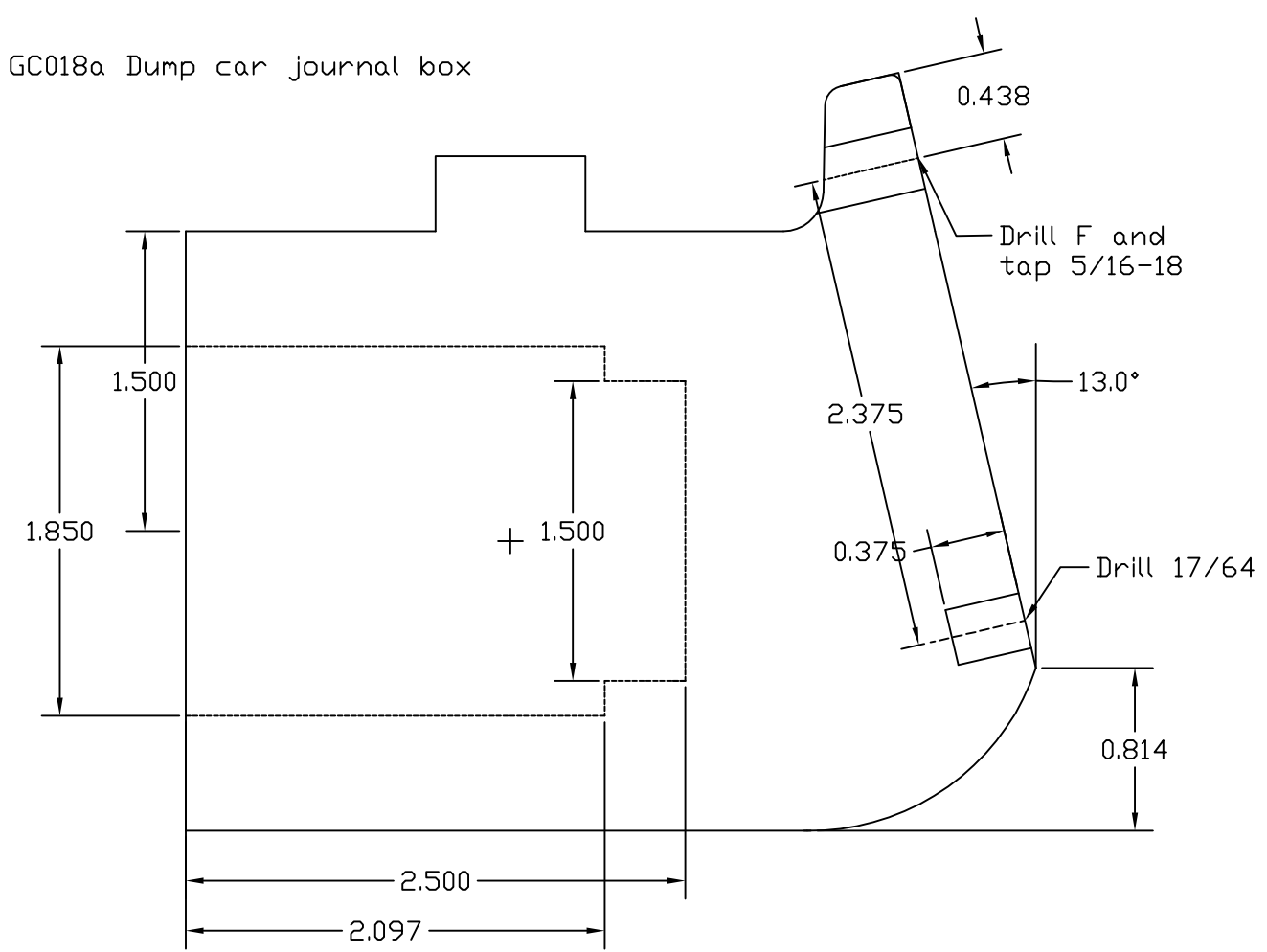


11 10 9 8 7 5 4 3 2 1

G  
F  
E  
C  
B  
A



GC018a Dump car journal box



11 10 9 8 7 5 4 3 2 1

DRAWING TITLE			
GP018 Dump car Journal box and lid			
DRAWN BY	DRAWING NUMBER	REVISION	SHEET OF
Craig Williams	12345	1	1 OF 1
FILE NAME			SAVE DATE
GP018 Dump Car Journal Box And Lid			Lid5/2/2019
REV	DATE	REV BY	DESCRIPTION
1	01/01/12	CLW	Desc

G  
F  
E  
C  
B  
A