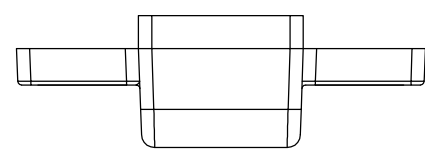
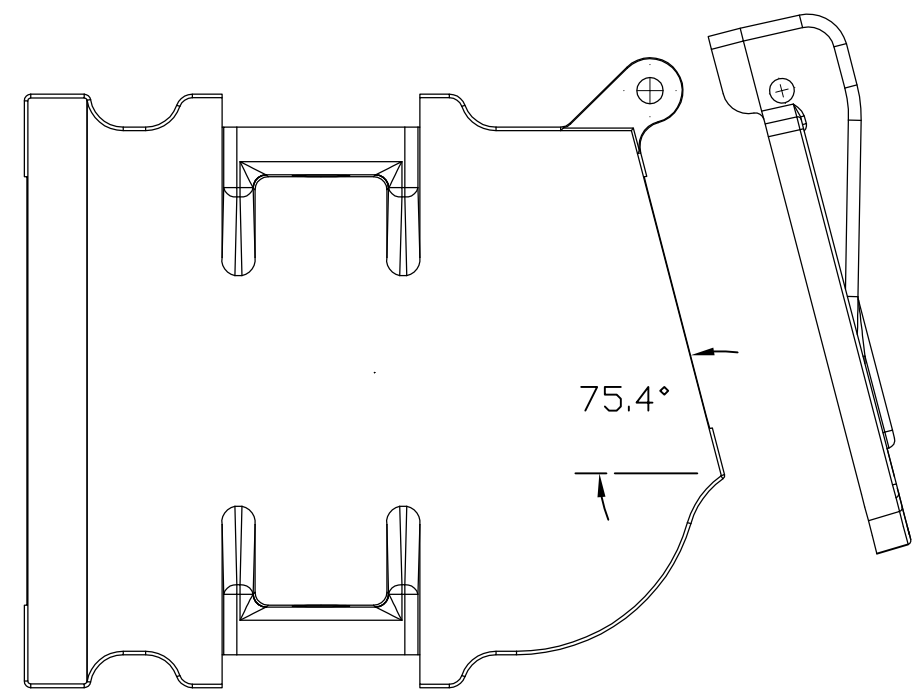
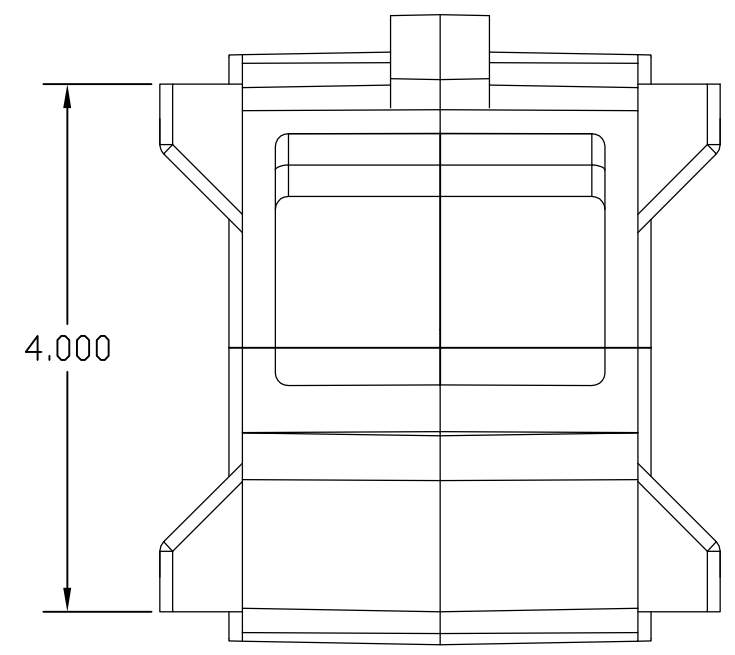
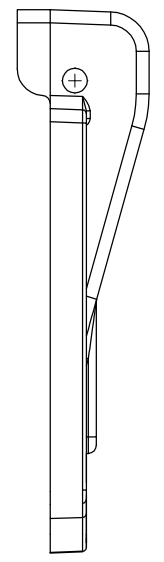
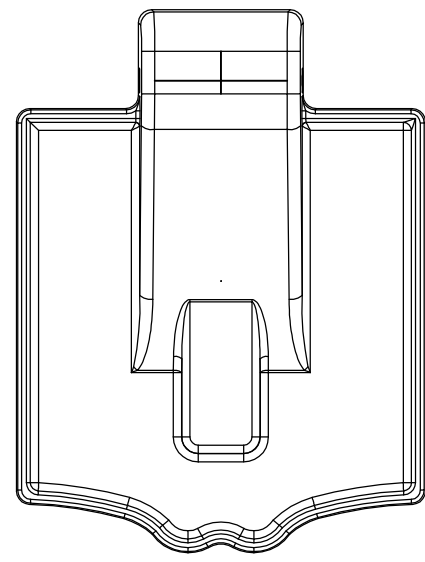
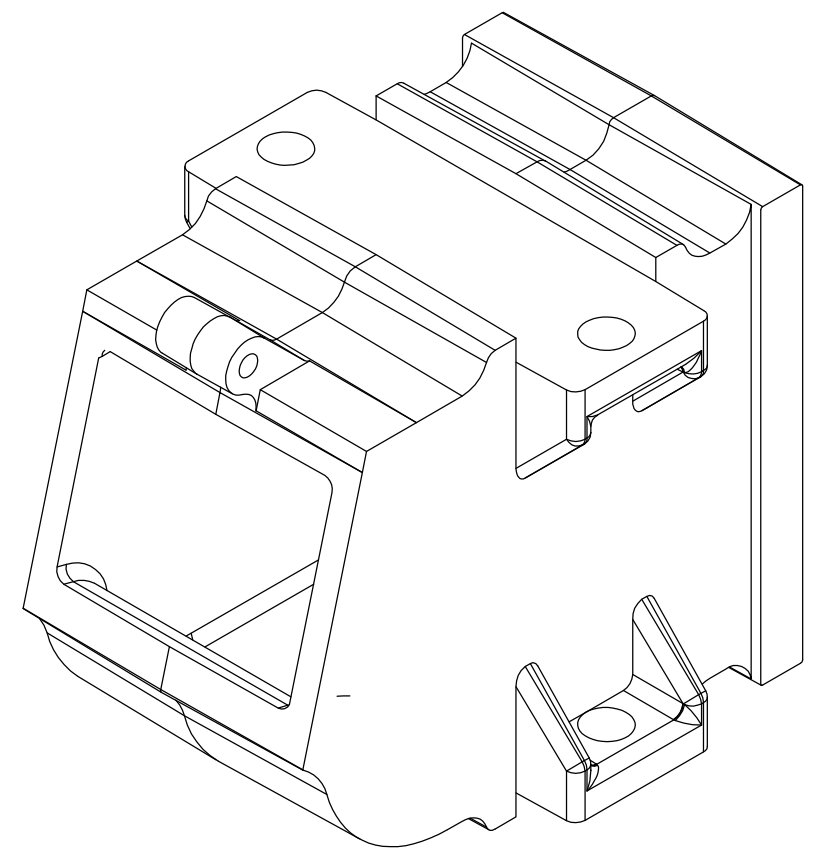
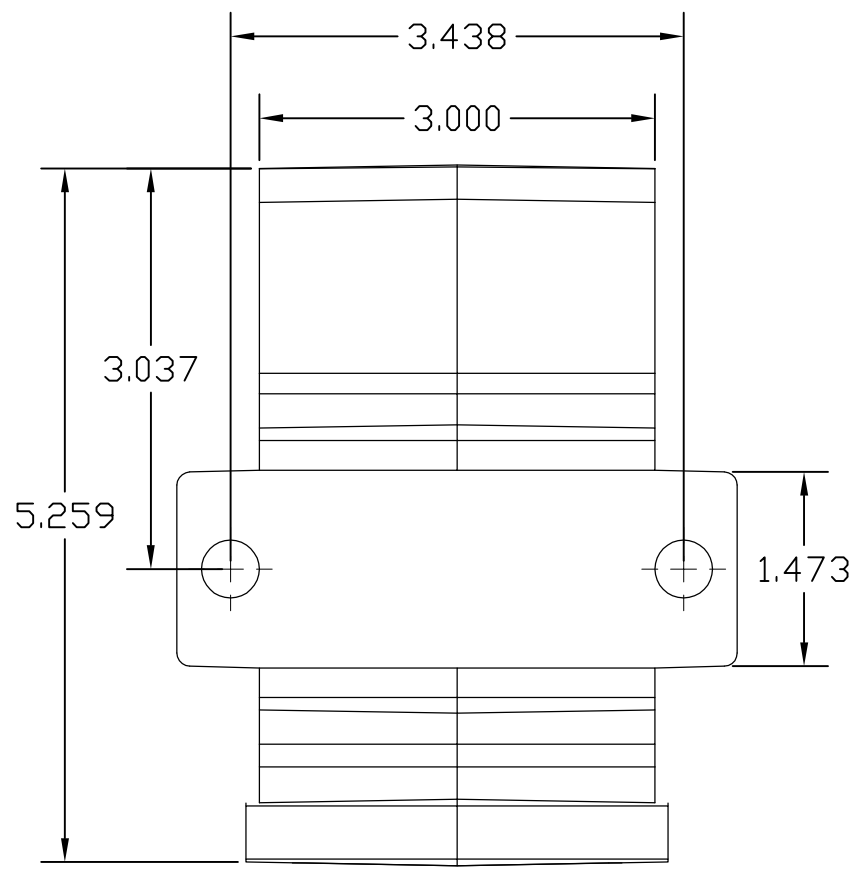


11 10 9 8 7 5 4 3 2 1

G
F
E
C
B
A



DRAWING TITLE			
GP029 BH Journal box and lid			
DRAWN BY	DRAWING NUMBER	REVISION	SHEET
Craig Williams	12345	1	1 OF 1
FILE NAME			SAVE DATE
GP029 BH Journal Box And Lid			12/20/2019
REV	DATE	REV BY	DESCRIPTION
1	01/01/12	CLW	Desc

11 10 9 8 7 5 4 3 2 1