

11

10

9

8

7

5

4

3

2

1

G

F

E

C

B

A

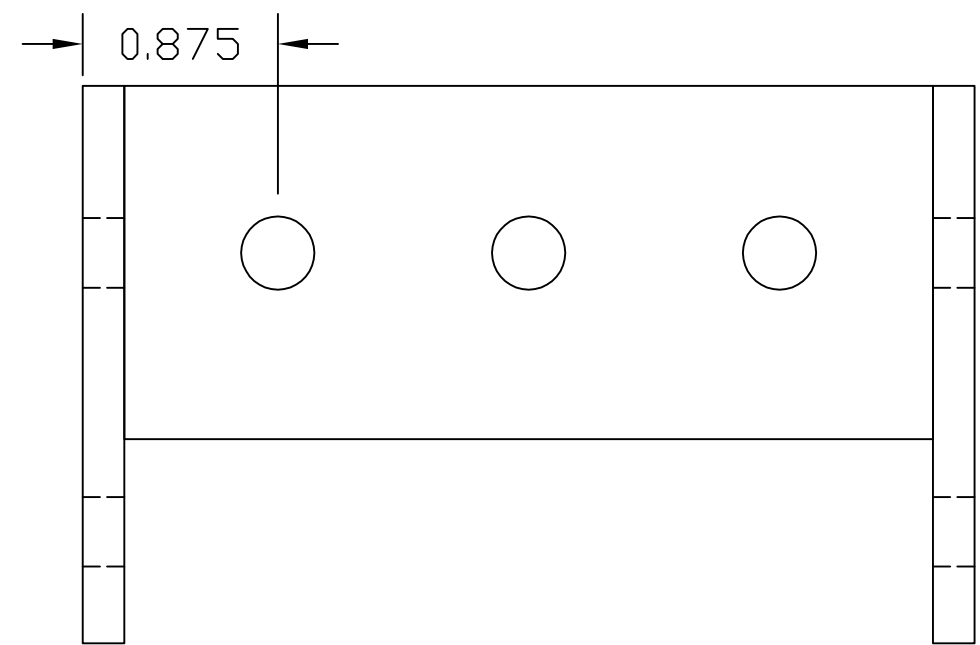
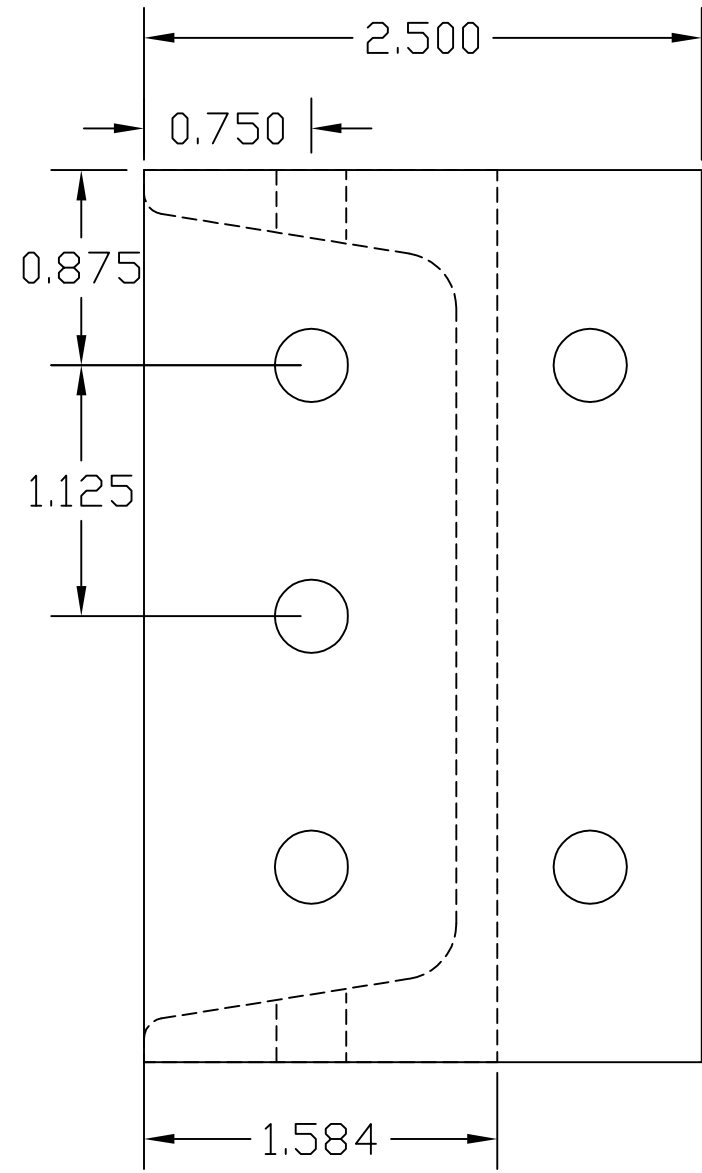
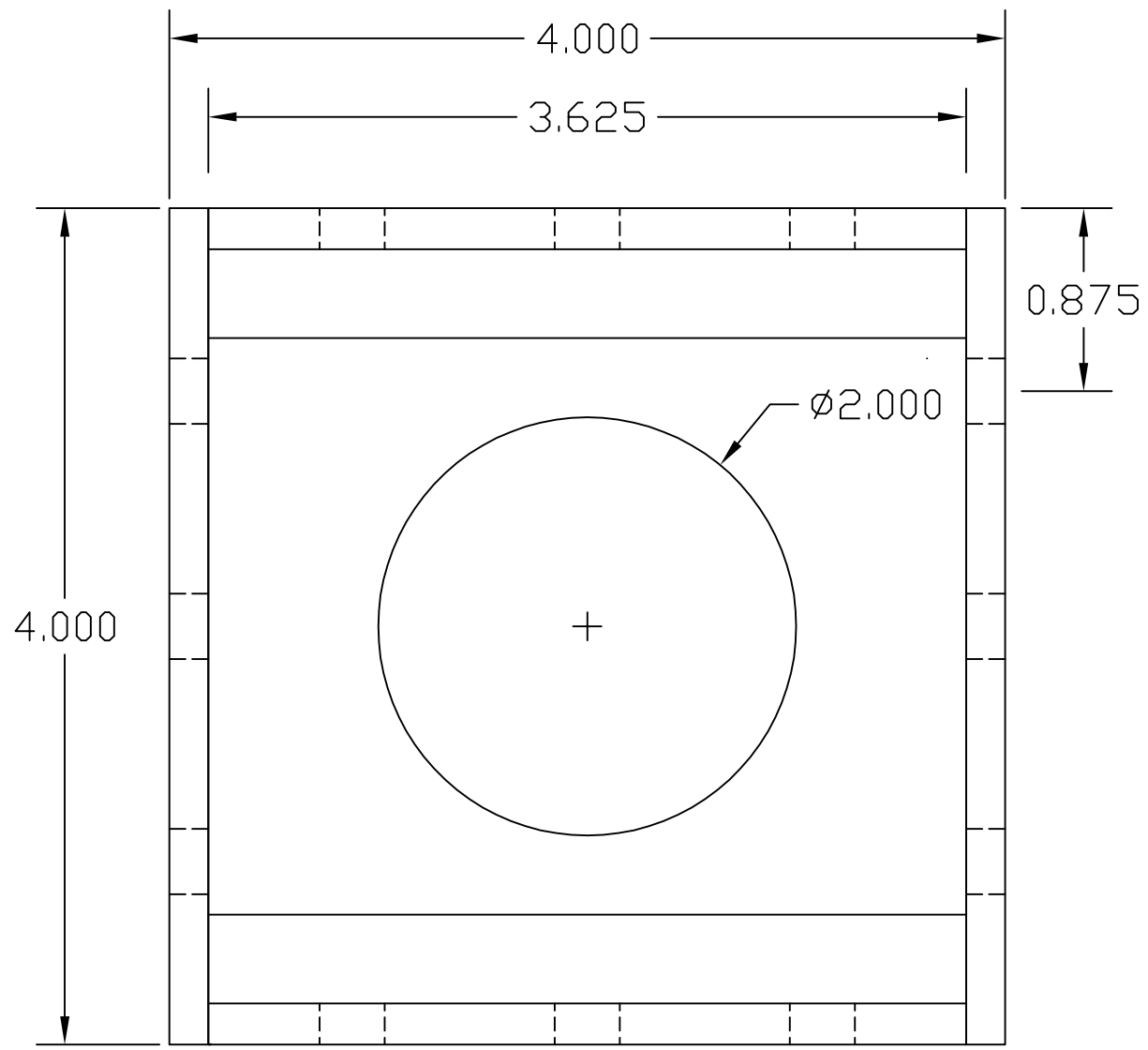
G

F

E

B

A



DRAWING TITLE			
GP106 Thielsen truck center, fab			
DRAWN BY	DRAWING NUMBER	REVISION	SHEET
Craig Williams	12345	1	1 OF 1
FILE NAME			SAVE DATE
GP106 Thielsen Truck Center, Fab			1/11/2019
REV	DATE	REV BY	DESCRIPTION
1	01/01/12	CLW	Desc

11

10

9

8

7

5

4

3

2